



**SKU # MSUWUS30RGB**

**Part # 1006993**

Description

NEW - HydroBLAST Ultra Slim 1-POD Underwater 30-Watt LED Lighting System - Marine 316 Stainless Steel - RGB Multi-Color

**Categories** Marine Sport Lighting

**Sub-Categories** HydroBLAST Underwater LED

**UPC** 817999026375

**Unit of Measure** EA

**Related Skus:**

MSUWBTC12V, MSUWRCC12V

**Cross Sell Skus:**

MS-27RGB,MSUWL60RGB,MSUWL120RGB,MSUWL180RGB,MSUWUS60RGB

**Condition**

New

**Manufacturer**

Marine Sport Lighting

**EZ Category**

HydroBLAST Marine LED

**Harmonization Code**

8512.20.2080

**Universal**

YES

**Life Expectancy**

50,000 hours

**SEMA Product** Marine All-Around Light

**Part Type ID** 57170

**Reverse Polarity**

Marine All-Around Light

**Operating Voltage**

9-15VDC

**Current Draw**

1.9A

**Wattage**

30-Watts

**Chip Type**

CREE

**IP Rating**

IP68

**LUX**

**Kelvin (ColorTemperature)**

RGB

**Universal or Vehicle Specific**

Universal

**Made In**

China

**Warranty**

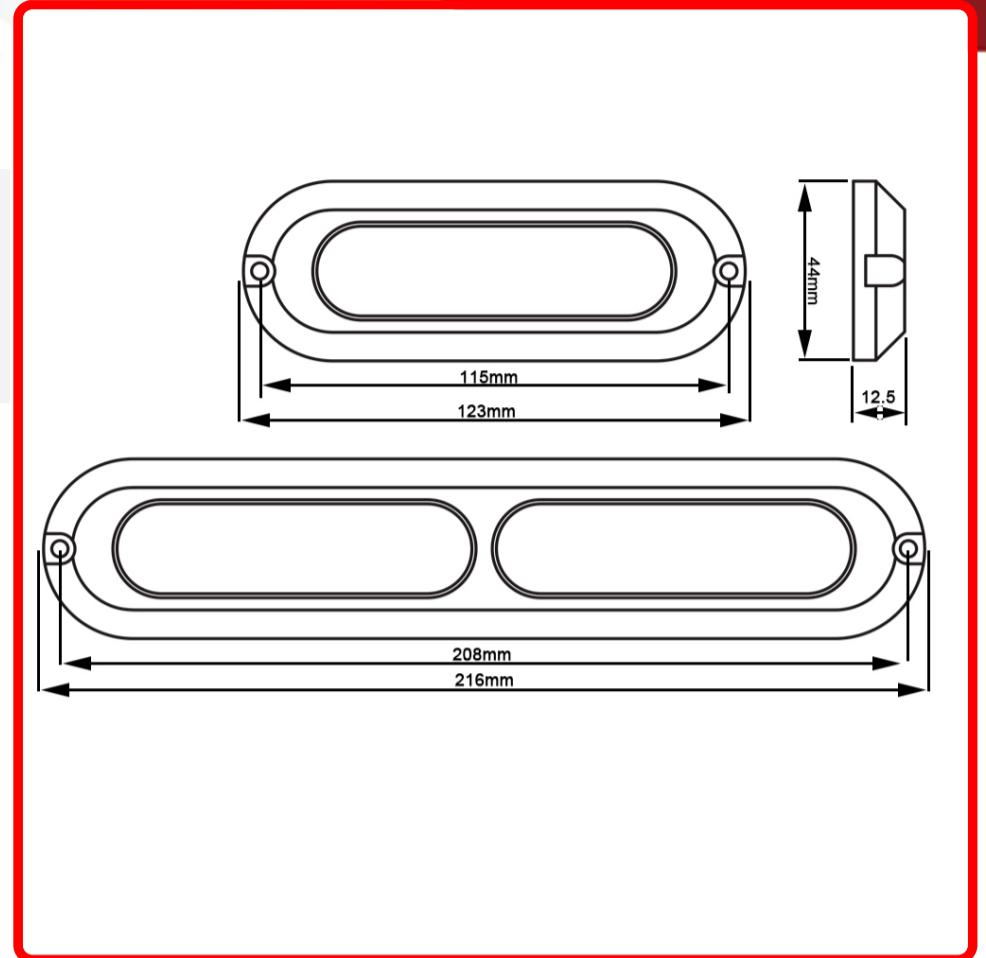
2 year

**Lumens**

278-1,410lm

**Beam Pattern**

Flood



**Product Information**

Marine 316 Stainless Steel - RGB Multi-Color -input voltage 9-15VDC -current draw 1.65A@13.5VDC -total power consumption 22.5W@13.5VDC -316L Marine Grade Stainless Steel -Polycarbonate Lens -waterproof IP68 -comes with 5FT wire (18AWG)

**HydroBLAST series by Marine Sport Lighting**



**Est. Labor**

1 Hours

**Gross Weight**

1.00

**Width**

7.50

**Net Weight**

1.00

**Height**

2.50

**DIM Weight**

0.47

**Depth**

3.50

Prop 65 WARNING: This product can expose you to chemicals, which are known to the State of California to cause cancer and birth defects or other reproductive harm. For more information go to [www.P65Warnings.ca.gov](http://www.P65Warnings.ca.gov)

[www.racesportinc.com](http://www.racesportinc.com)